

**Bluewater Café Station 1™  
Installation Quick Guide**



**Bluewater**

ENG: The installation must comply with applicable local plumbing codes and regulations.

FR: L'installation doit respecter les normes et réglementations de plomberie locales applicables

ES: La instalación de fontanería debe cumplir con la reglamentación y las normativas locales.

PT: A instalação deve cumprir as normas e os regulamentos de canalização locais aplicáveis.

IT: L'installazione deve rispettare i codici e le regolamentazioni idrauliche locali vigenti.

DE: Die Installation muss die örtlichen Vorschriften und Richtlinien für Wasser bzw. Sanitäreanlagen erfüllen.

PL: Muszą być spełnione obowiązujące przepisy i regulacje dotyczące instalacji wodociągowej.

RU: Установка должна соответствовать действующим местным санитарным нормам и правилам.

SE: Installationen måste uppfylla gällande VVS-regler och -förfordningar.

FI: Asennus on tehtävä sovellettavien paikallisten LVI-sääntöjen ja -määräysten mukaisesti.

NO: Installasjonen må utføres i henhold til gjeldende praksis og bestemmelser for rørleggerarbeid.

DK: Installationen skal overholde de gældende lokale regler og forskrifter for VVS-installationer.

ZH: 必须按照适用的当地管道标准和法规进行安装.

AR: يجب ان يتوافق التركيب مع قوانين ومعايير السباكة المحلية المعمول به

## Easy to Install

You'll find everything you need to know to install your new Bluewater Café Station 1™ in this Quick Guide. Or scan the QR code to for a user-friendly online version of the guide.



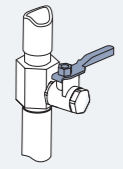
## Preparation Before Installation:

1. Drain Water Outlet



2. Cold Water Inlet

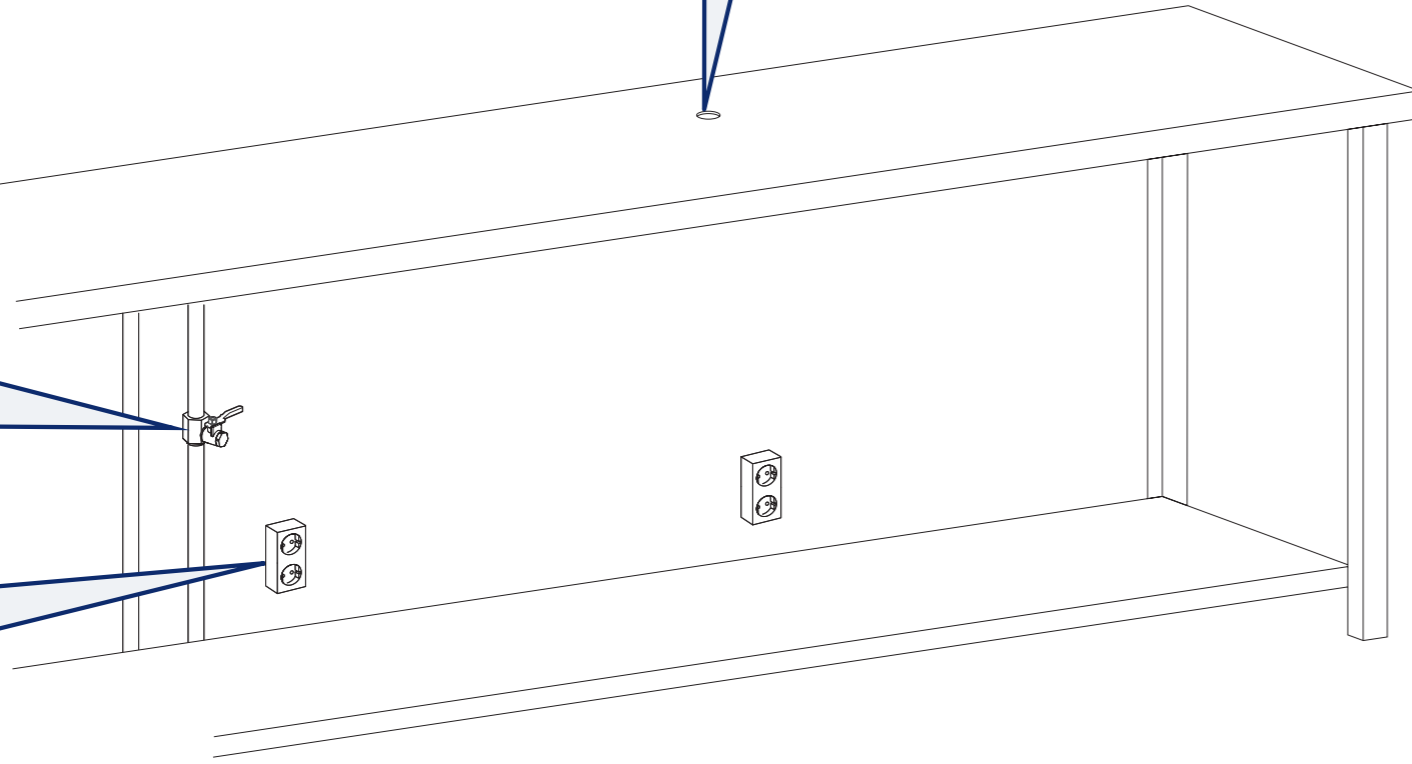
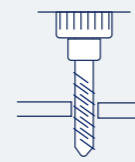
Min 3 bar



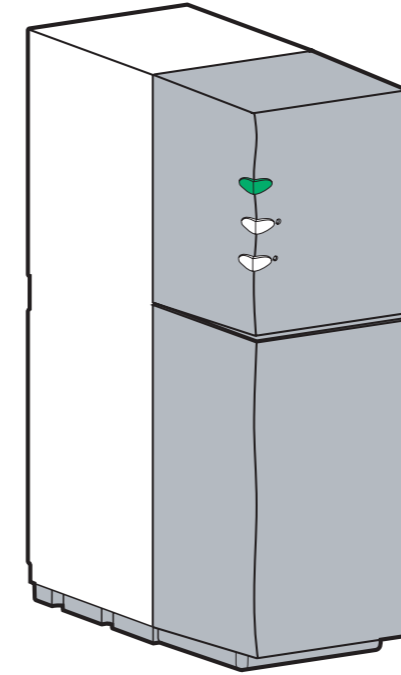
3. Three Electrical Outlets



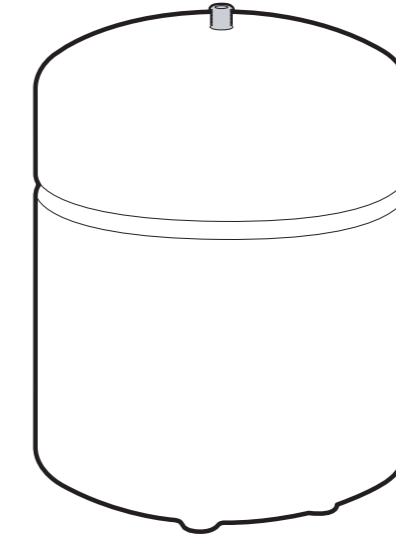
4. Hole for Coffee Machine Inlet Water



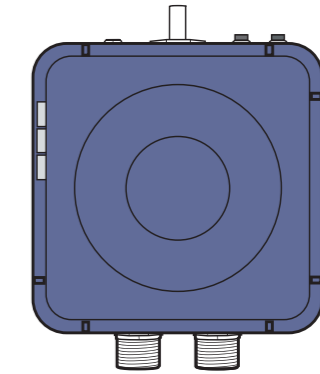
## What is Needed



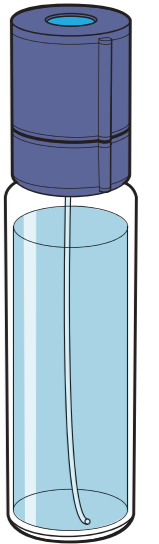
Bluewater Purifier



Pressure Tank

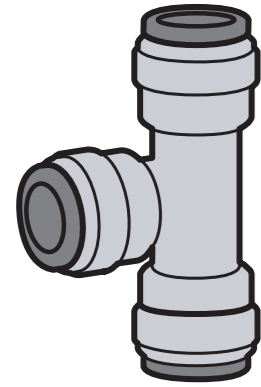


Control Box

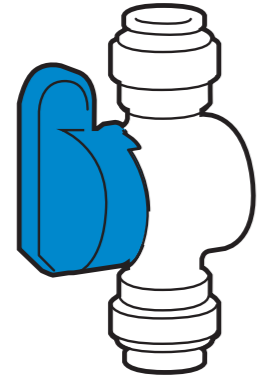


Dosing Pump

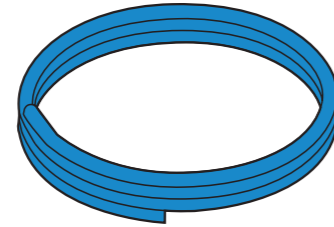
## What is Included



3/8" Tee



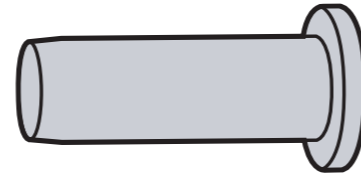
3/8" Valve



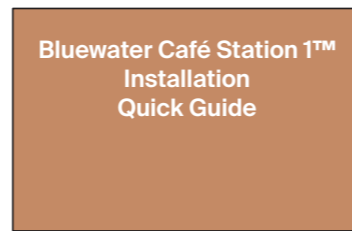
3m 3/8" Tubing



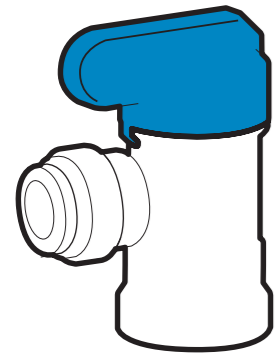
1 x 1/4" Locking Clip



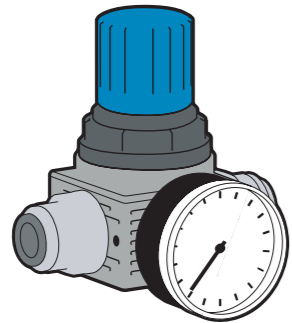
3/8" Plug



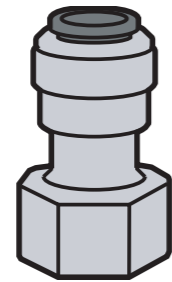
Installation Manual



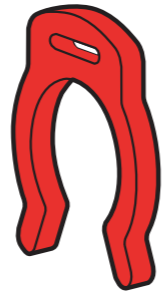
3/8" Tank Valve



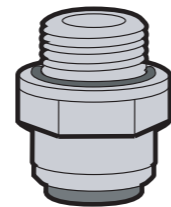
Pressure Regulator



3/8" - 1/4 BSPP  
Female Adapter



19 x 3/8" Locking Clip



3/8" - 1/4 BSP Adapter

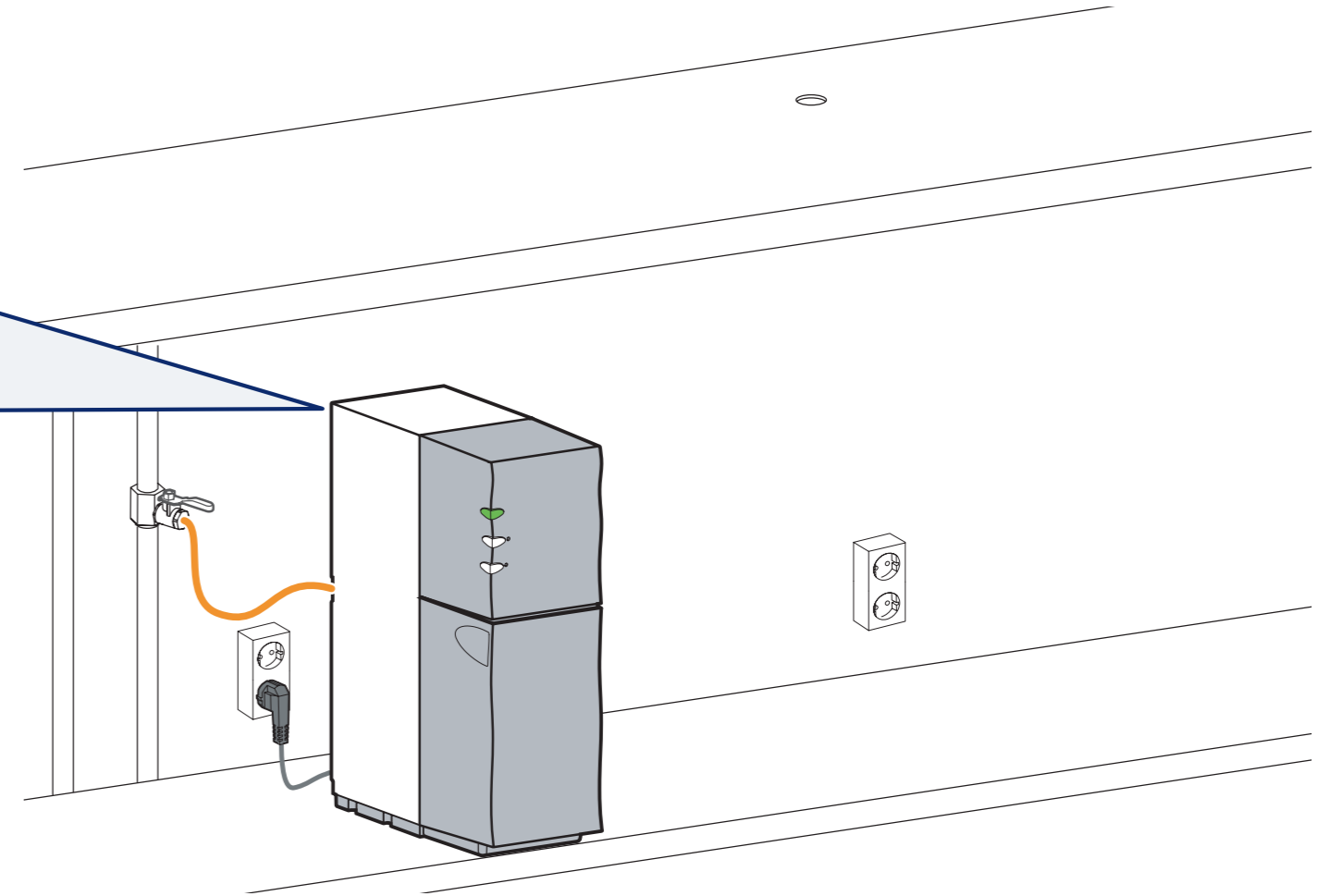
## Install Purifier

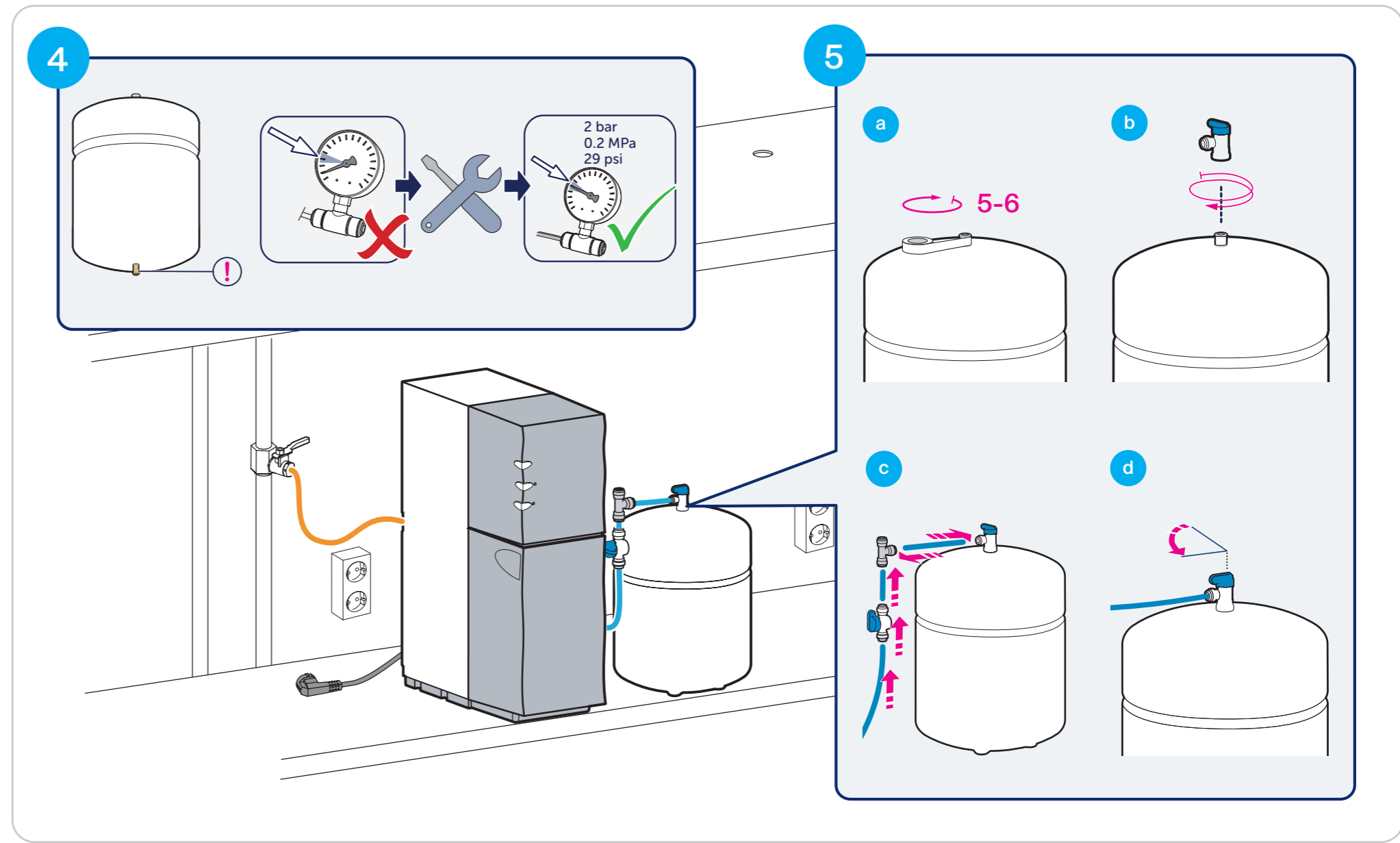
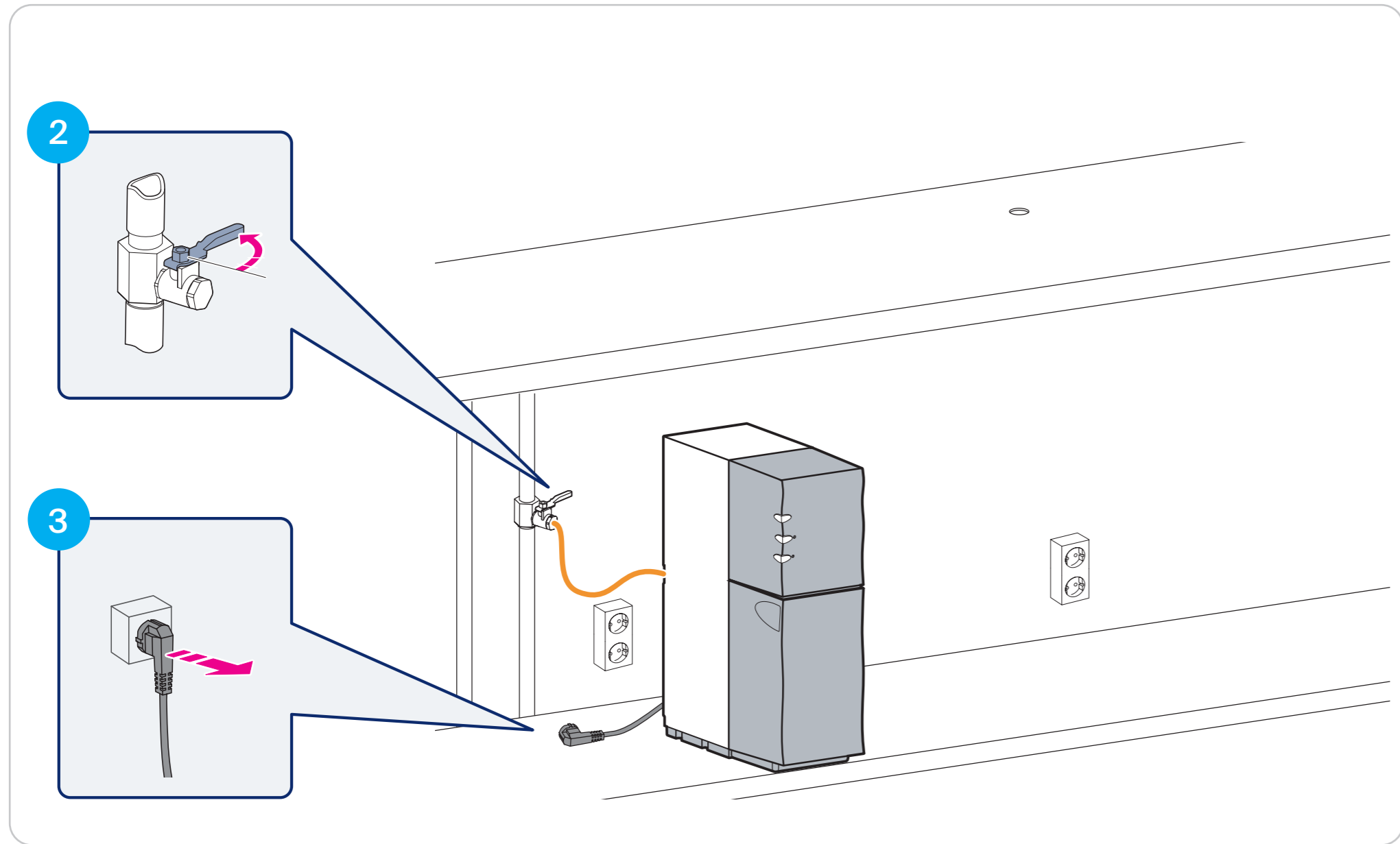
1

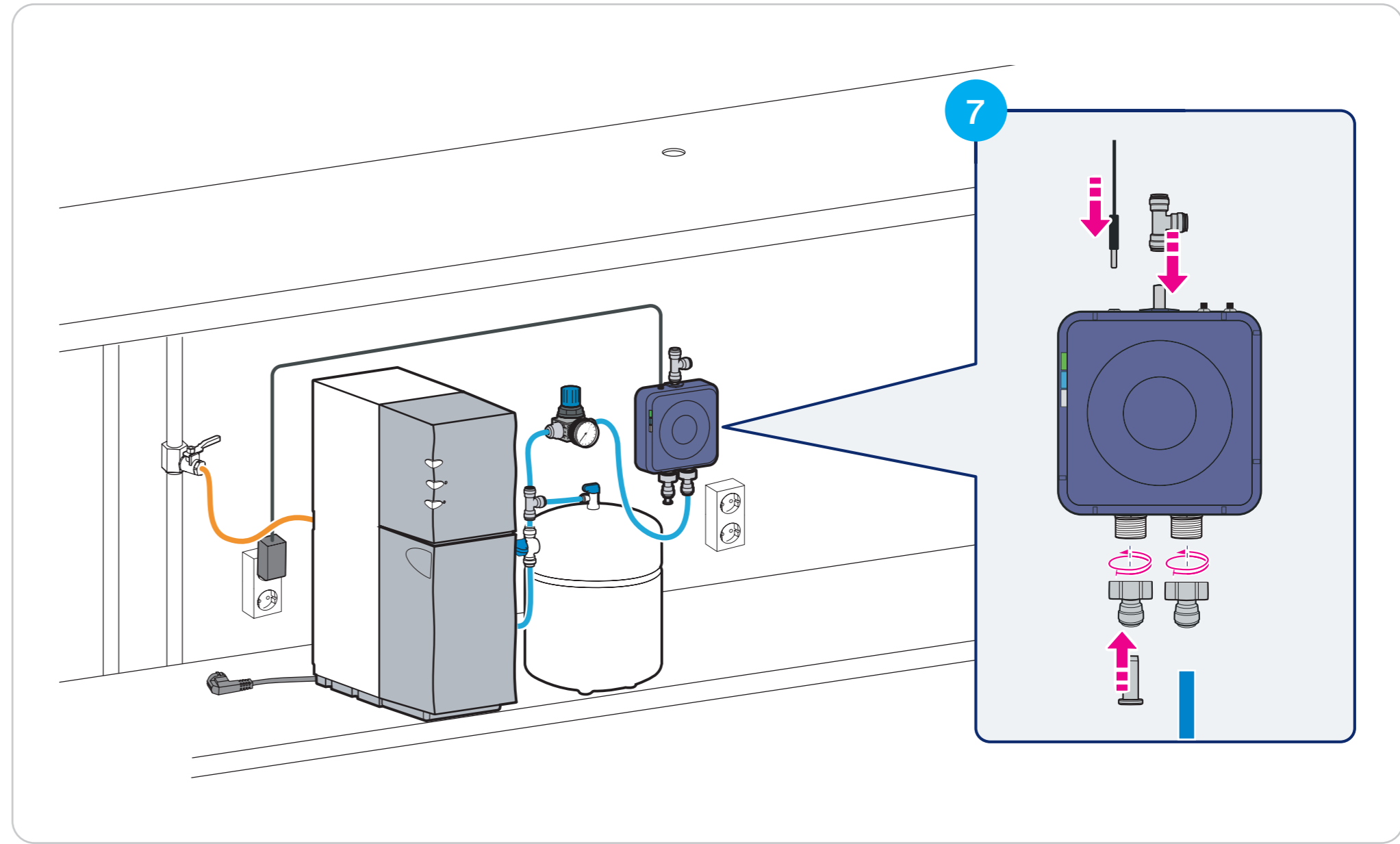
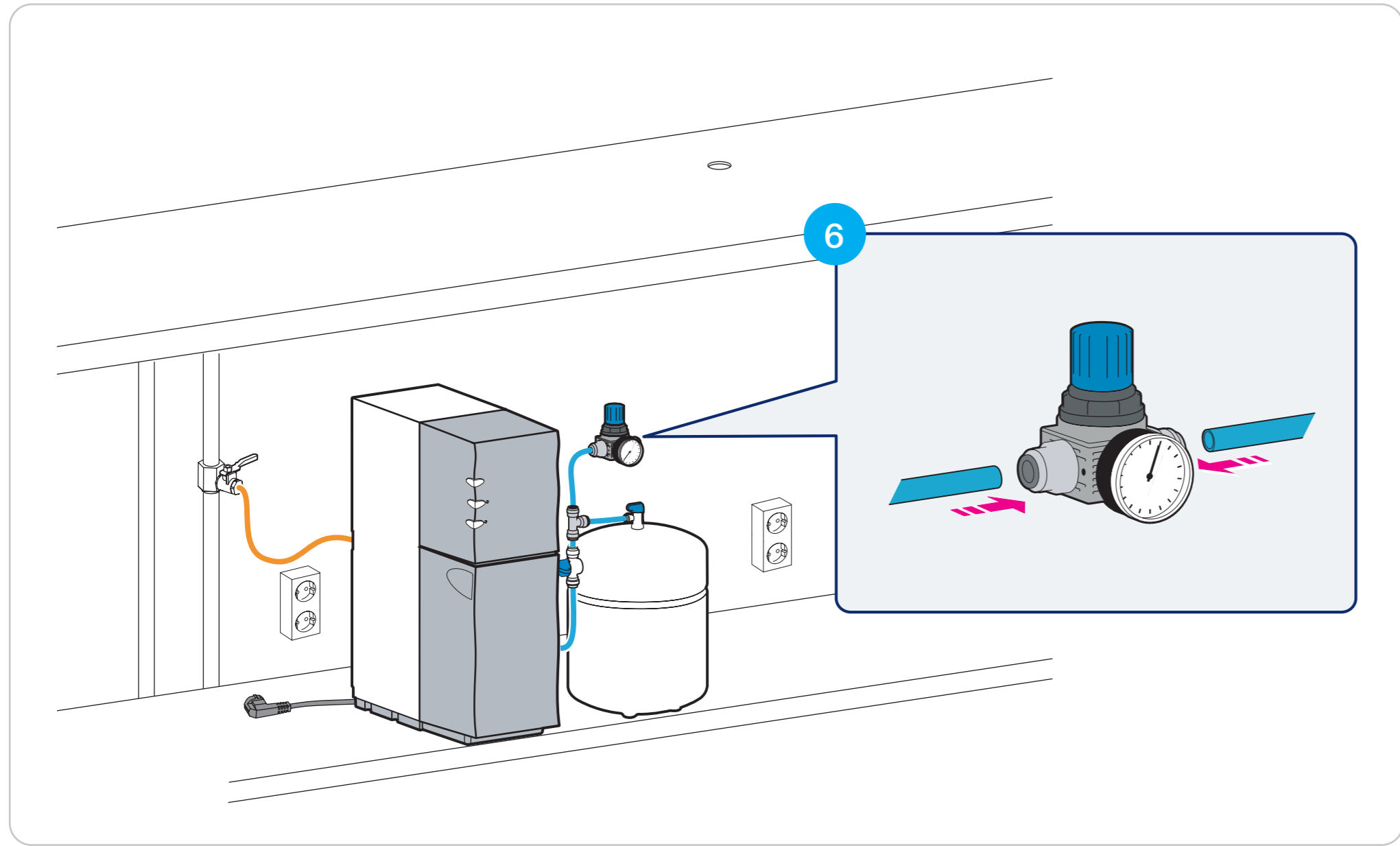
Complete the Purification system installation

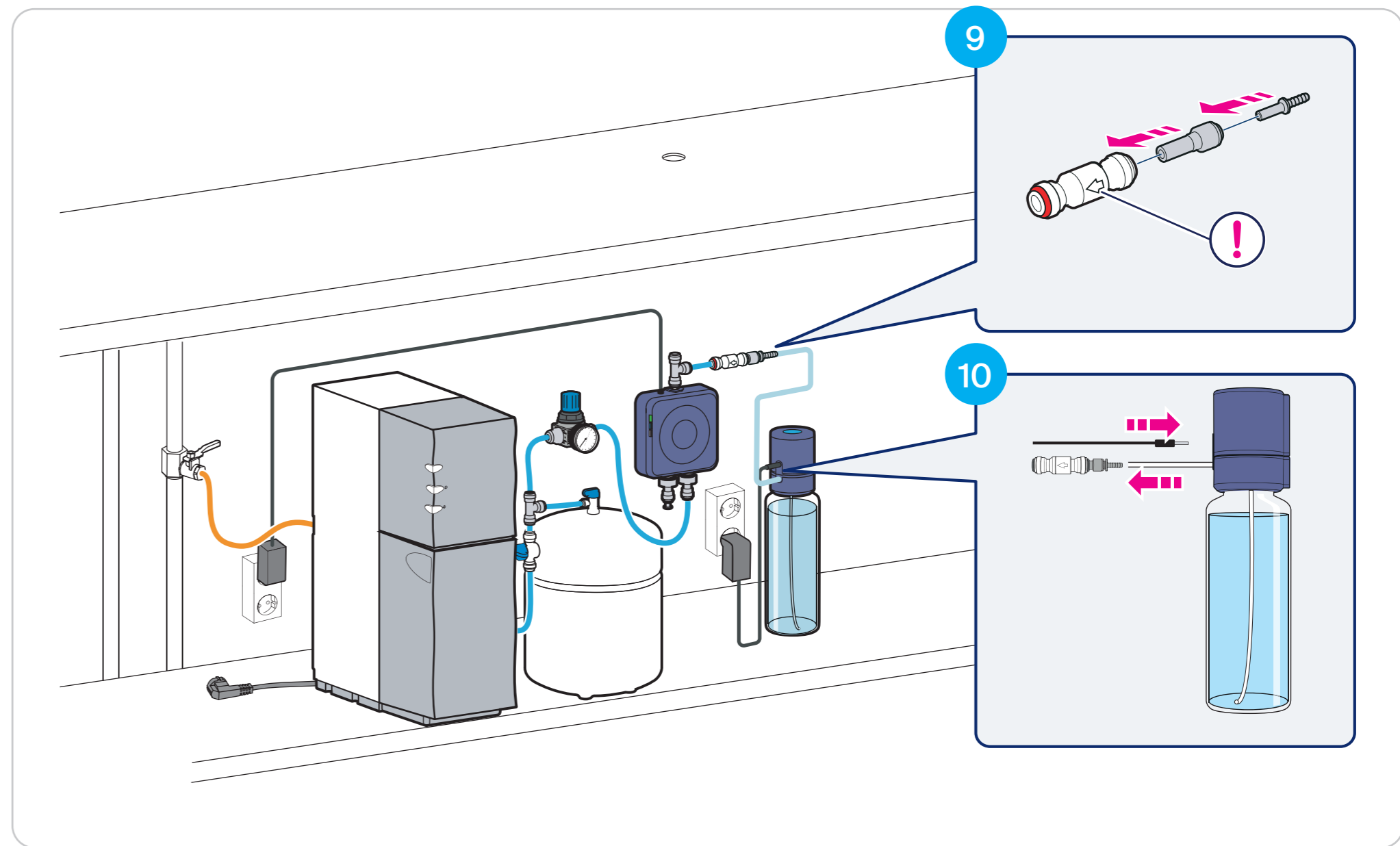
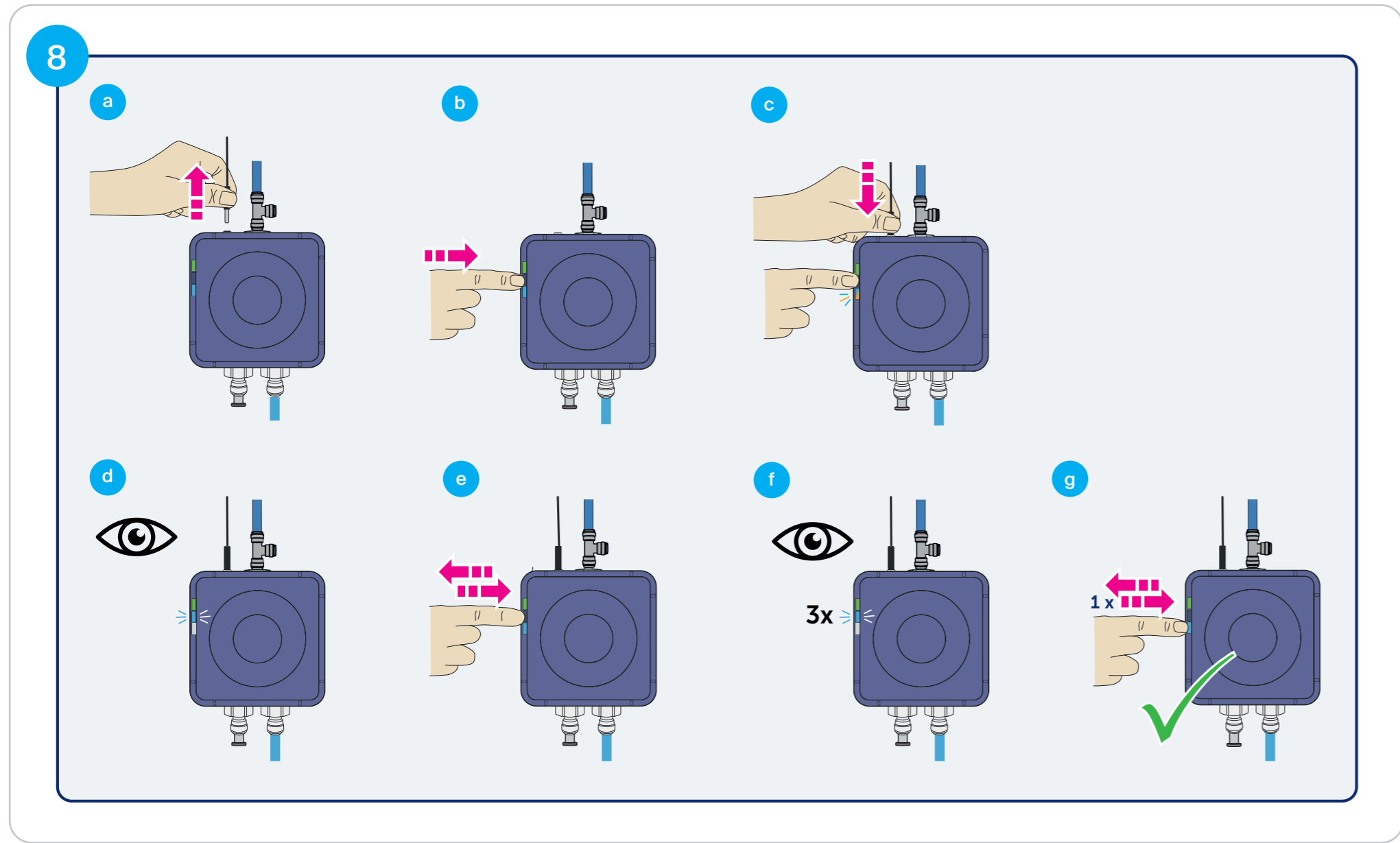


Bluewater Spirit Installation Quick Guide

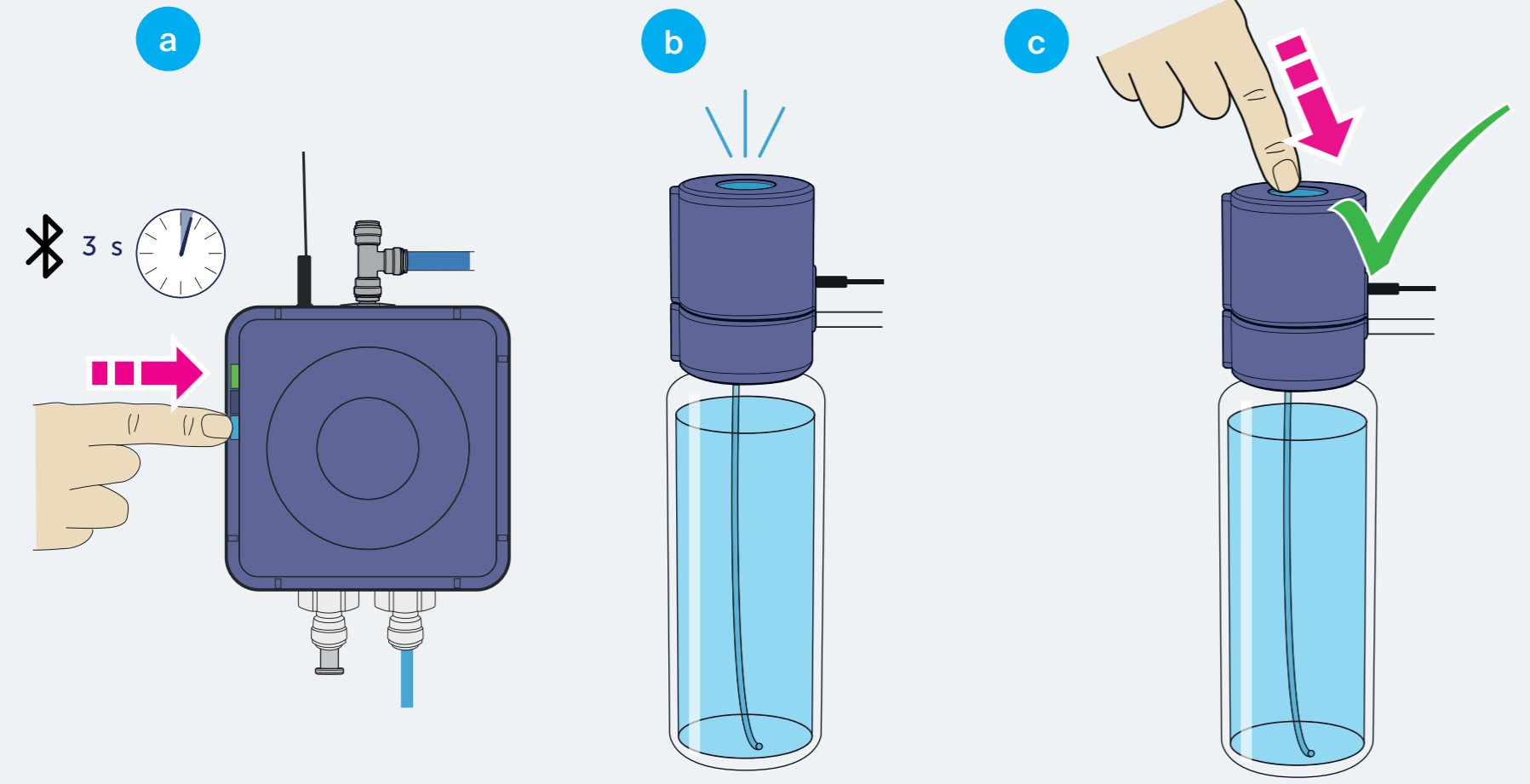




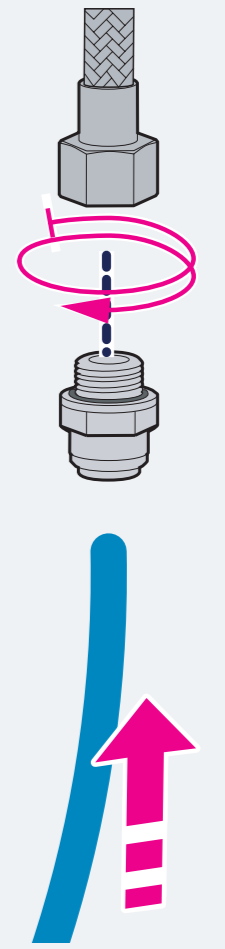
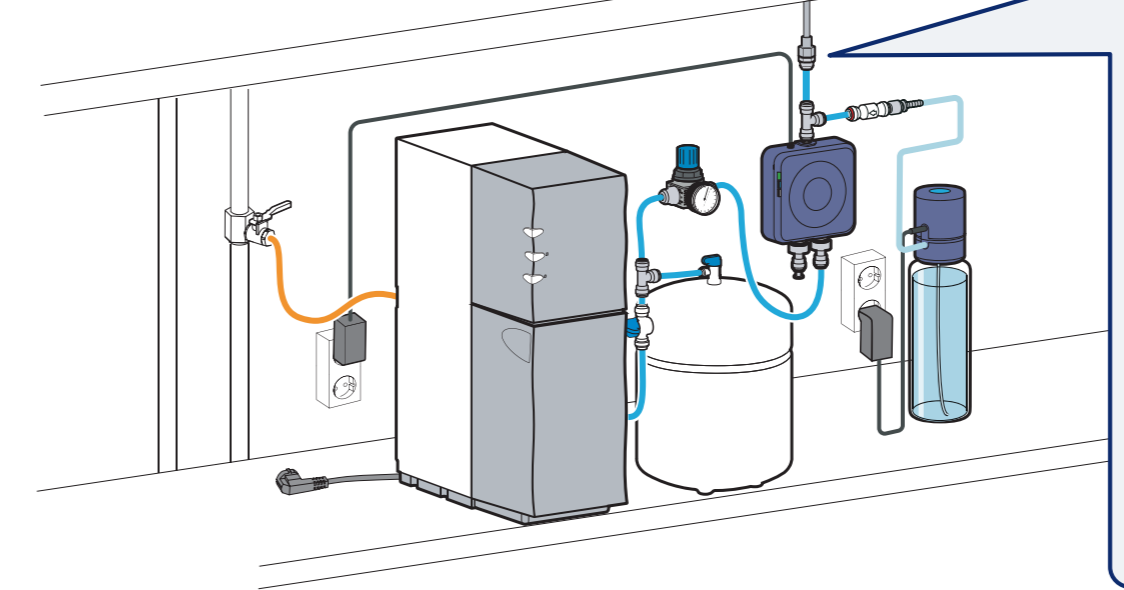
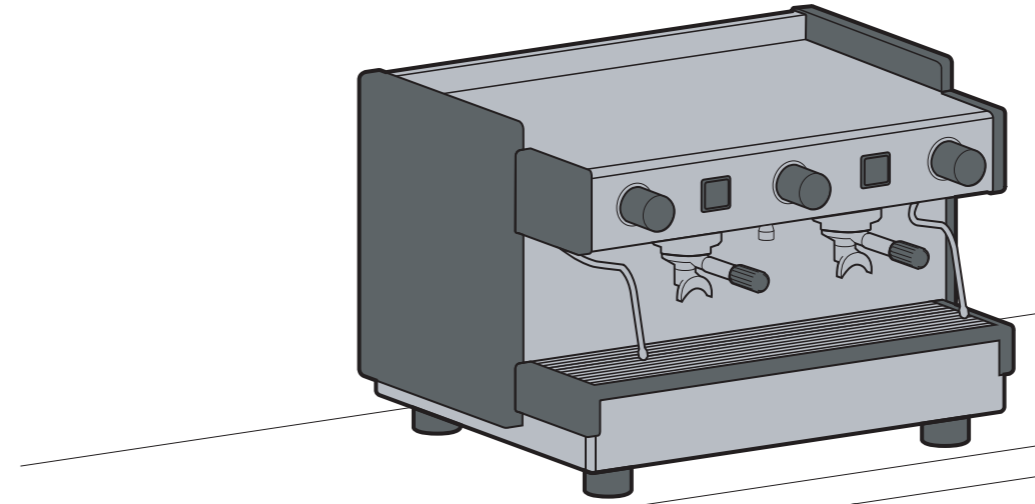




11

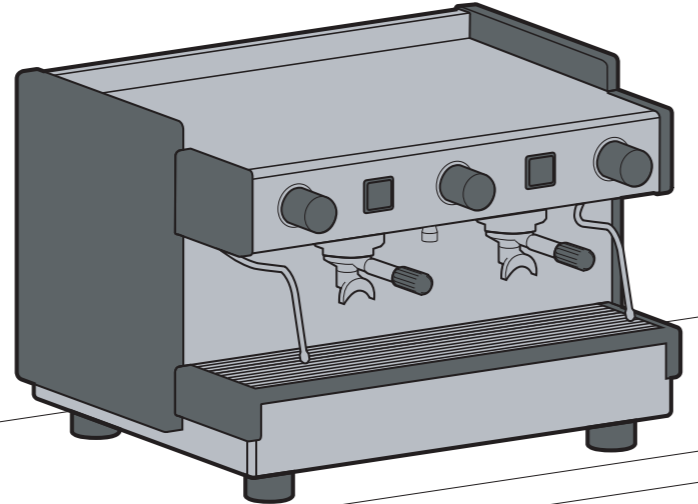
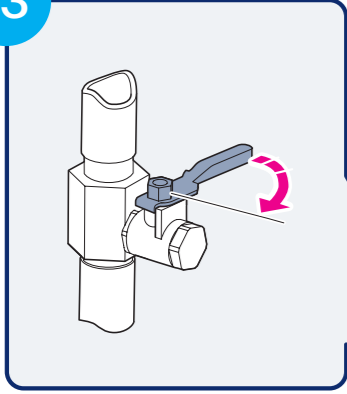


12

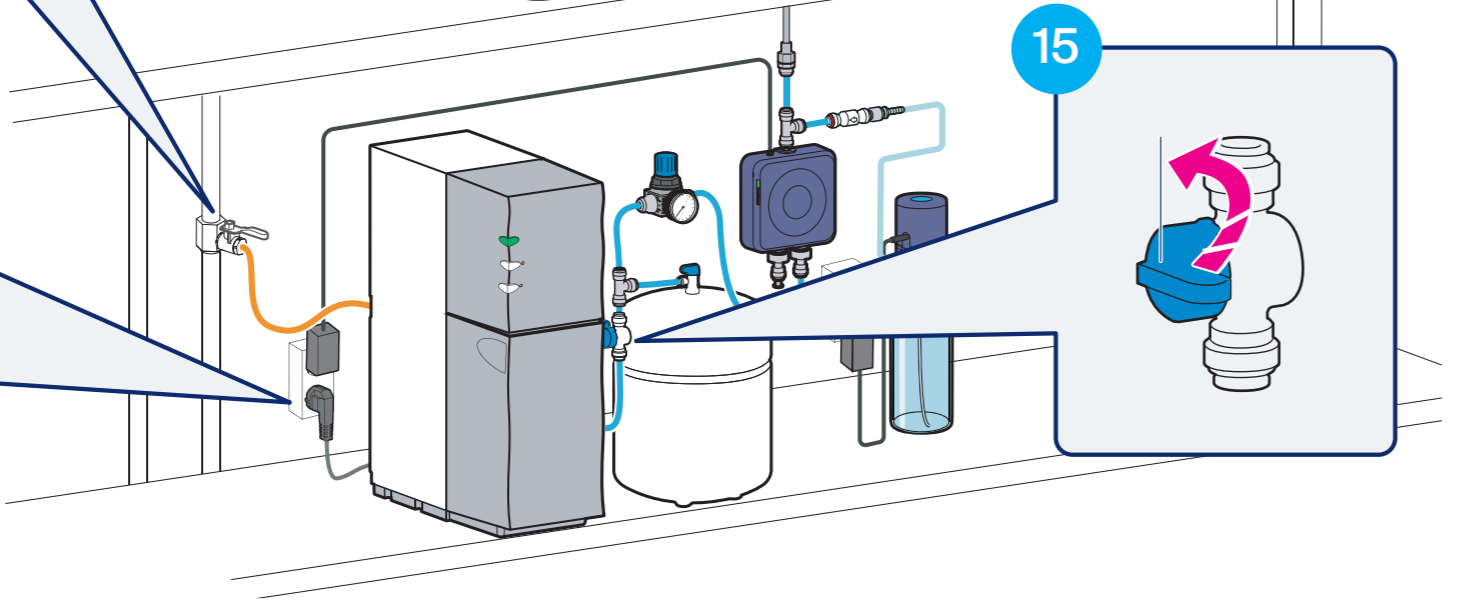
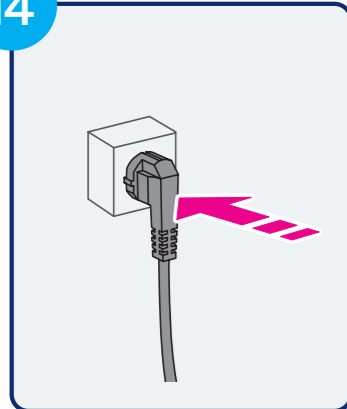




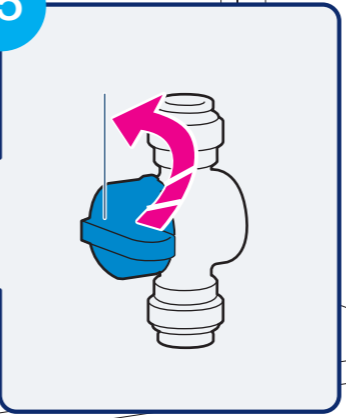
13



14

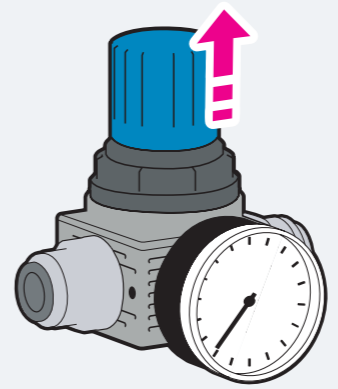


15

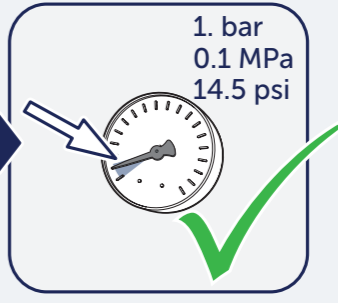
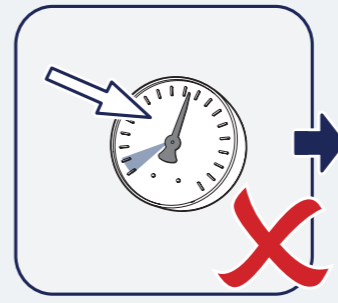
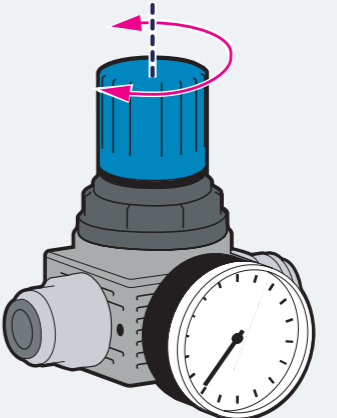


16

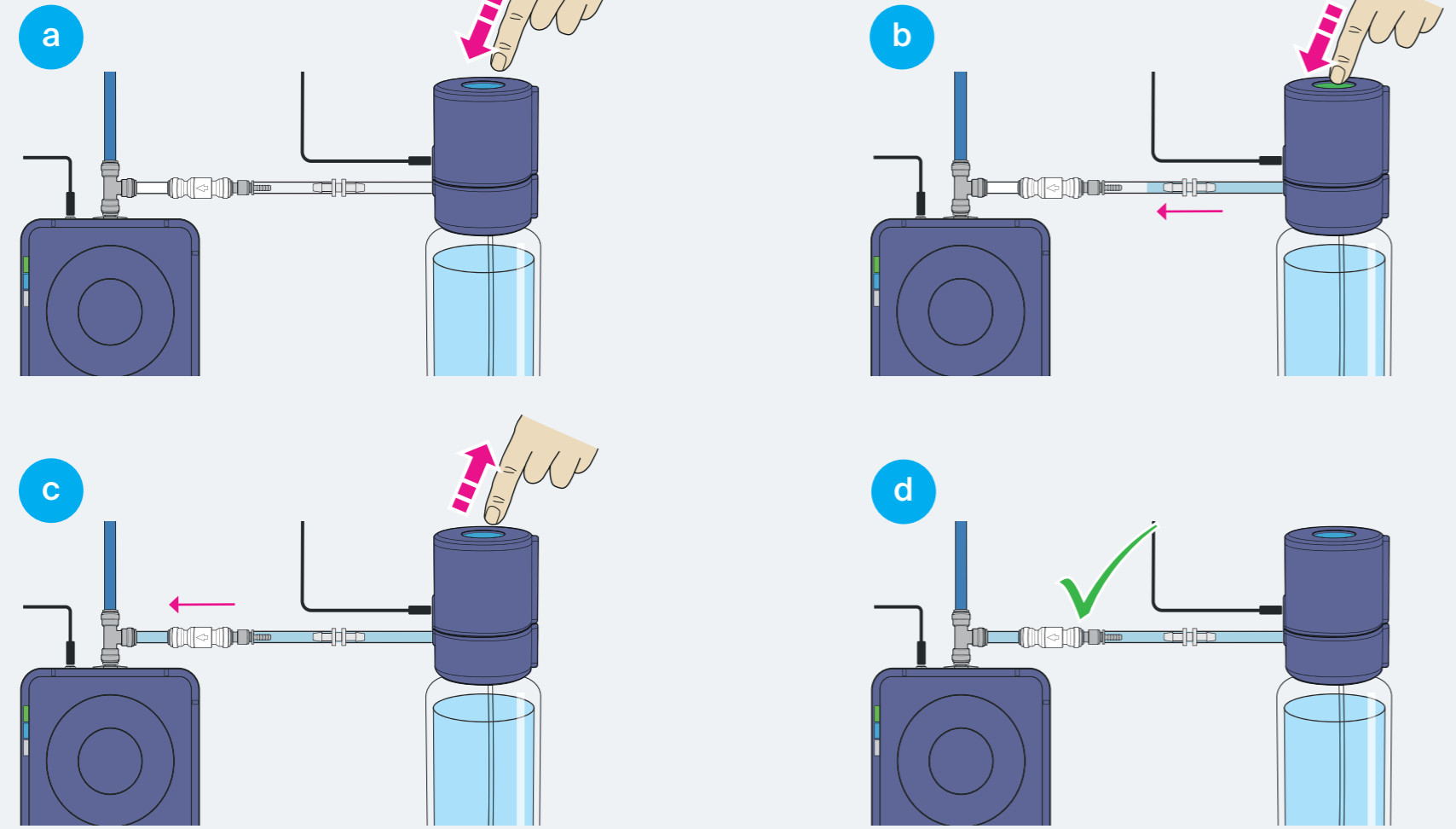
a



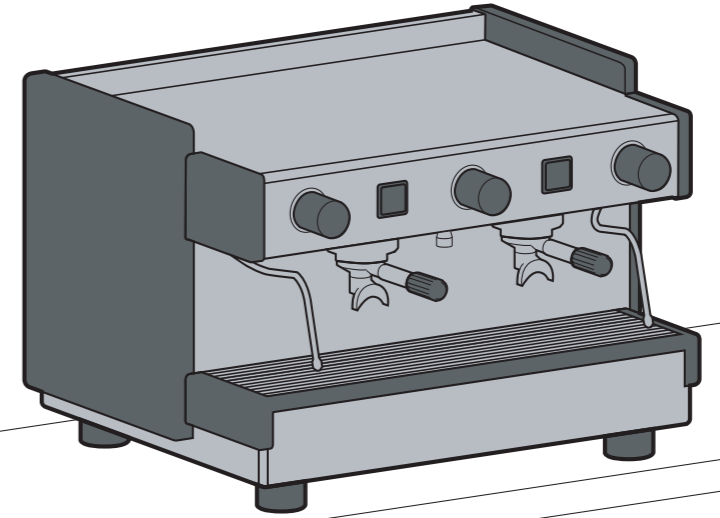
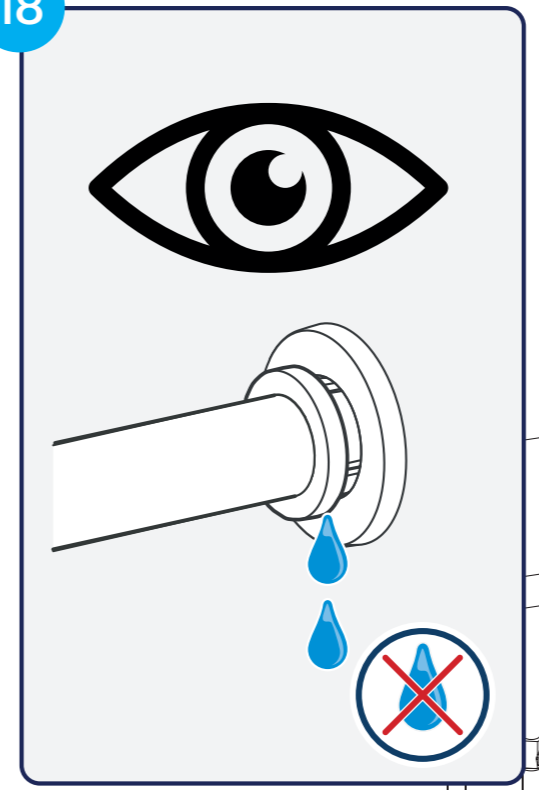
b



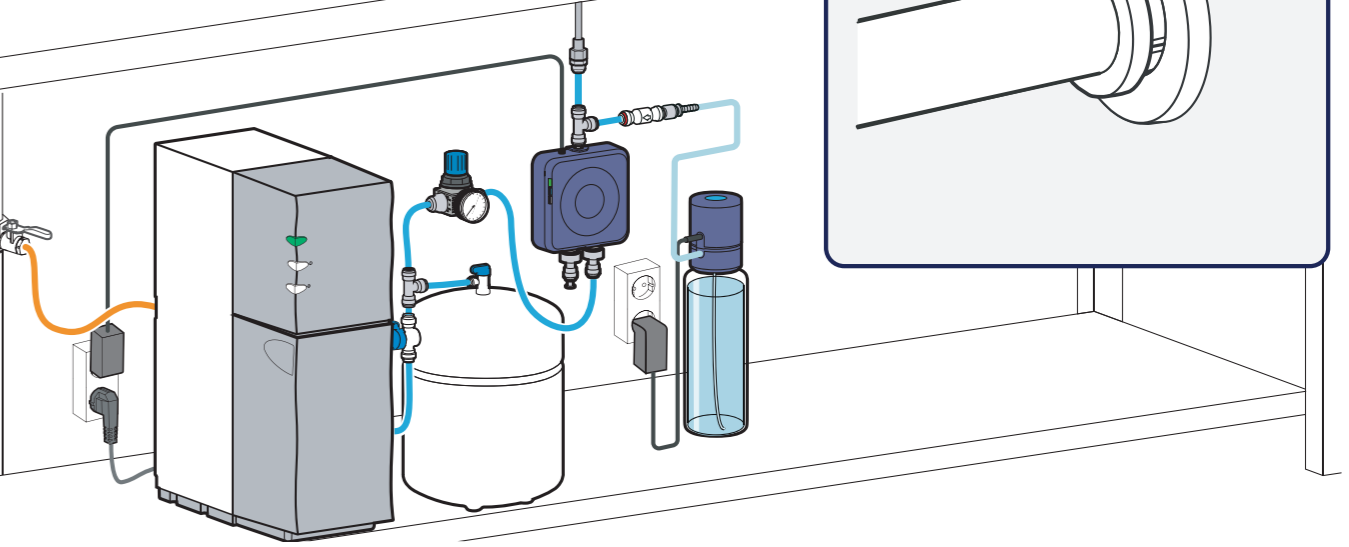
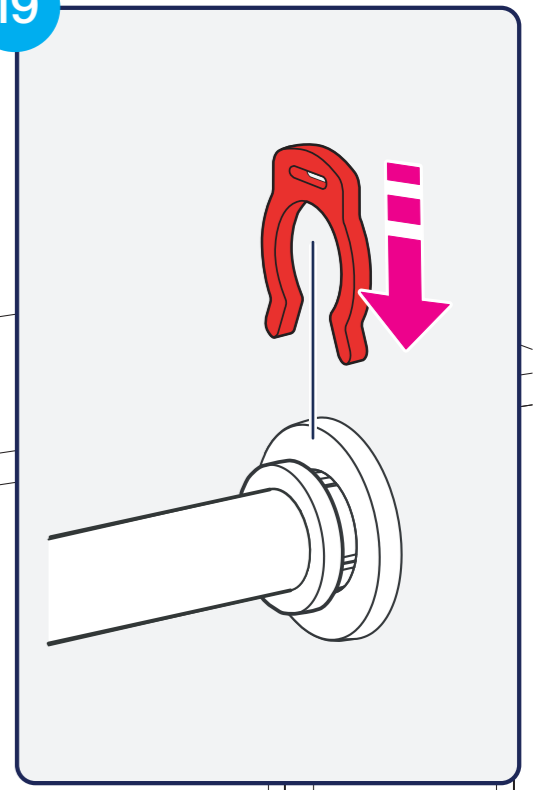
17

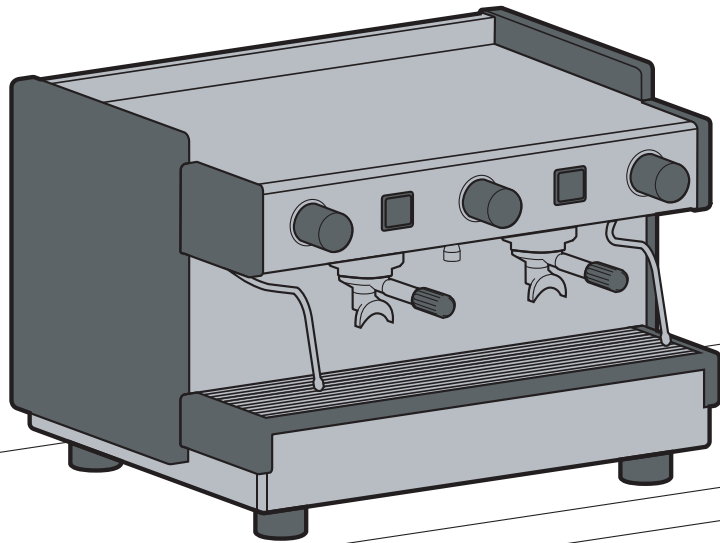


18



19





20

Set up the system using the Bluewater Serve App.

