



# CC202

EXTRAORDINARY,  
DISTINCT &  
REFINED



Nestled quietly within the heart of Monaco is our small, but perfectly formed factory, hand-crafting espresso machines since 1956. We combine a genuine passion for innovation and coffee excellence, with exceptional quality and reliability to produce the finest machines for any circumstance or environment.

[www.conti-espresso.co.uk](http://www.conti-espresso.co.uk)

ESTD 1956  
  
**Conti**  
MONACO



# CC202



The CC202 is the latest addition to our core range. It has been refined and redesigned to offer the more discerning barista features and benefits far beyond conventional expectation. Our most universal machine, being perfectly home in a high street coffee shop, hotel lobby, village pub or modern office.

The evolution of our classic model, the CC100, the CC202 has been fettled, modified and enhanced to offer exceptional mid range performance, value and striking aesthetic.

To control espresso consistency as we strive to improve extraction, we have added individual group shot timers, and illuminated the drinks preparation area with LED barista lights. An eye level display offers diagnostics and real time user information such as service reminders and boiler temperatures.

Finished in our new textured full colour extra tough powder coating – the CC202 is a real looker and will blend beautifully into any environment.



### Shot Timers

Monitor and control espresso extraction whilst improving consistency and ultimately flavour.



### Barista Lights

Illuminate your workspace, work clean, work smart.



### Temperature Control

Using PID, we can not only quickly change the brew temperature of our machine, but we also ensure it stays perfectly stable, consistency equals results.

### Additional Features:

#### Eco Mode

Utilising our Eco mode, reduce your power consumption by up to 40% overnight or when closed.

#### Auto Cleaning

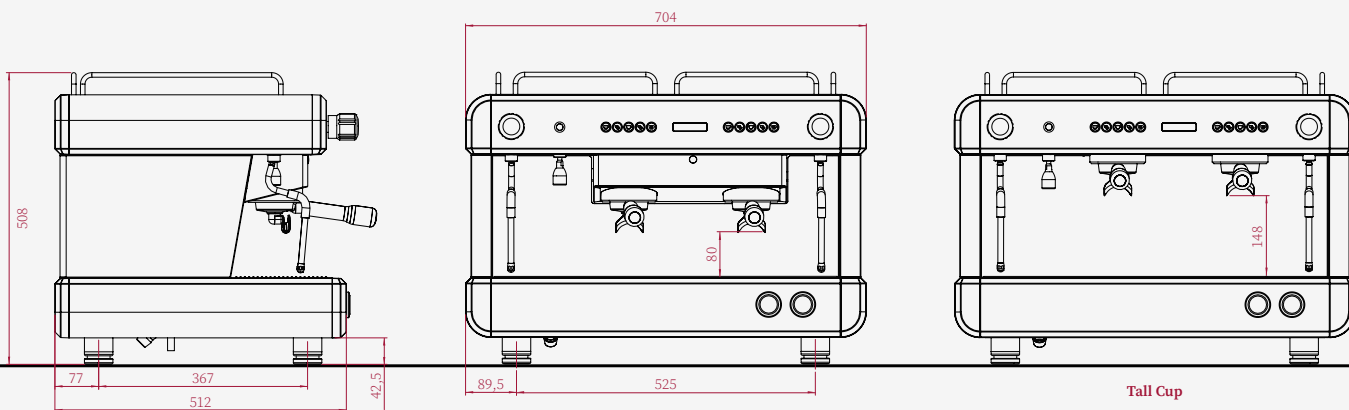
Never use a dirty machine again, simple to operate, helps to ensure your machine is 'always sparkling clean'.

#### Dose Controlled Hot Water

Set the perfect amount of hot water every time to top up your Americanos.

#### Touchpad

Our new soft touch buttons add a luxury feel.



Tall Cup

	2 Group
Height (mm)	508
Width (mm)	704
Depth (mm)	512
Weight (kg)	58
Steam Boiler Size (Litres)	11
Coffee Boiler Size (Litres)	n/a
Group Element (W)	n/a
Steam Boiler Element (W)	2850/3300
Coffee Boiler Element (W)	n/a
Total Power (W)	3050/3500
Voltage (V)	230

### Colour Options:



Jet Black



Traffic White



Conti UK  
 Email: [info@conti-esspresso.co.uk](mailto:info@conti-esspresso.co.uk)  
 Tel: 01763 249 398  
[www.conti-esspresso.co.uk](http://www.conti-esspresso.co.uk)

Unit 12-13 Wyndmere Park,  
 Ashwell Road,  
 Steeple Morden, Royston  
 Hertfordshire SG8 0NZ

